

PAS

PLASTIC ASSEMBLY SYSTEMS

Model STS 2000

The PAS Model STS 2000 Servo Thermal System offer the highest level of machine control in the industry to date. PAS couples new servo control technology with years of experience to bring to market the most advanced line of Thermal Assembly equipment. Servo control in the Z-axis allows for precise and fast control of your Thermal applications. Our complete line offers end users the ability to run small, medium and large parts and applications that require high precision and repeatability. The STS 2000 can be used as stand alone piece of equipment or coupled with other automation technologies to meet your part volumes.

Thermal Assembly makes use of direct contact heated tools and precisely controlled time, temperature, pressure, and cooling to reform plastic studs, walls, or protrusions or to embed metal components into plastic. This offers the ability to perform multiple operations on several planes simultaneously. Cycle times are relatively fast, allowing for the assembly of multiple products. Cosmetics are exceptional, so that heatstaking appears to be an extension of the molding process.

Standard features:

- Servo motor (Z-axis)
- Rolled ball screw with integrated automatic oiling system
- Z-axis control adjustable in .001" increments
- Multiple machine modes
- Z-axis speeds adjustable in .100" inches per minute increments
- Multiple speeds/ feeds and distances per each cycle
- Multiple job storage 1-100 jobs
- Adjustable head home position allows for lowered start position to increase production
- Dual linear rails with four linear carriages
- Steel ground machine column
- 20" machine travel to accept long parts (longer strokes available)
- STS 2000 actuator heads can be easily mounted into automation and can be mounted in any axis
- Microprocessor based hardware with LCD display
- Zero force Opto touch palm buttons
- Steel Blanchard ground work table with locking casters
- Integrated machine controls
- Integrated Temperature Controls
- FRL assembly for pneumatic part clamping

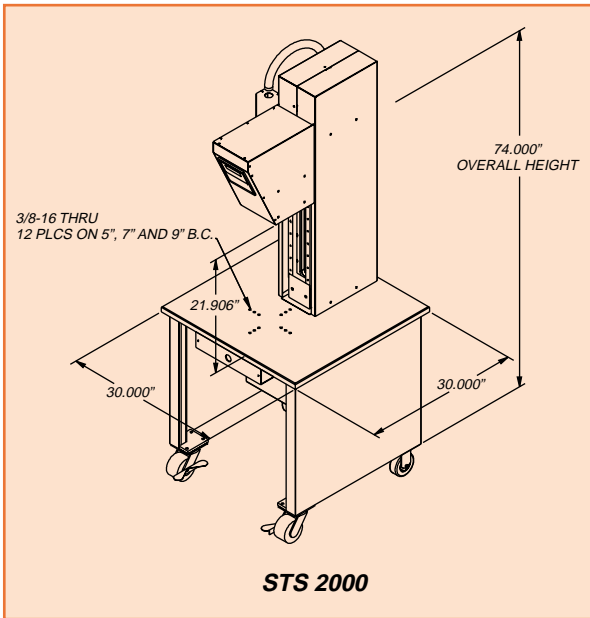


Options Available:

- Automation remote actuation cables
- Part presence detection
- Light curtain actuation
- Automatic part ejection station and systems available
- DVT vision system part detection
- Bowl feeders
- Rotary, Pallet, Under/Over Conveyer integration

WE SUPPLY SOLUTIONS!

THERMAL ASSEMBLY EQUIPMENT • SPIN WELDERS • ULTRASONIC WELDERS • VIBRATION WELDERS
HOT PLATE WELDERS • CUSTOM ASSEMBLY SYSTEMS • PRE-OWNED EQUIPMENT



STS 2000 Specifications	
Max Z Axis Pressure	2000lbs
Power requirements	240VAC 3 Phase 30Amps
Pneumatic Requirements	100PSI (For machine peripherals only)
Overall dimensions	30.00"W x 30.00"D x 73.00"H
Stroke (Longer Strokes Available)	20.00" No Tooling
Throat Depth (Deeper Available)	6.000"
Weight	325Lbs
Base Bolt Pattern	3/8-16 x 12 ON 5.00"/ 7.00"/ 9.00" B.C.



Assorted tips



Heat tip block for platens



Complete probe assembly with standard post cooling manifold

PAS
PLASTIC ASSEMBLY SYSTEMS

TEL: 866.882.1701

E-MAIL: SALES@HEATSTAKING.COM • INTERNET: WWW.HEATSTAKING.COM

©2005 Plastic Assembly Systems. All rights reserved. Specifications subject to change without notification.