

MODEL SW750 / SW850 / SW900 / SW950

The PAS Model SW 750, SW 850, SW900 and SW 950 Spin Welding Systems offer the highest level of machine control in the industry to date. PAS couples new servo control technology with years of experience to bring to market the most advanced line of spin welding equipment. Dual servo control in both the spin axis and the z-axis allow for precise control of your spin welding applications. Our complete line offers end users the ability to run small, medium and large parts and applications that require high precision and repeatability. The SW 750, 850, 900 and 950 can be used as stand alone pieces of equipment or coupled with other automation technologies to meet your part volumes.

Spin welding is used to join two plastic parts which are spherical or cylindrical in shape. Frictional heat is generated at the mating surface by spinning one part (upper) against a fixtured (lower) part, thus welding the assembly together. Spin welding is a fast process that works with large and small diameter parts as well as a broad range of thermoplastic resins. Hermetic seals are achievable.

PAS combines new servo control technology with years of experience to bring the most advanced line of thermal assembly equipment to market.

STANDARD FEATURES

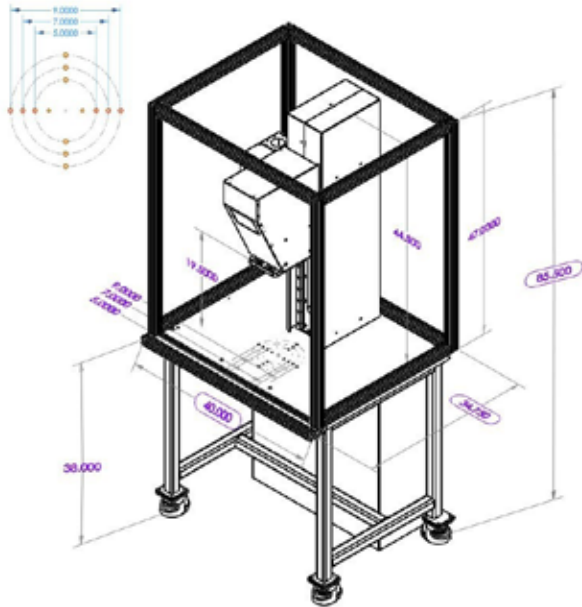
- Dual servo driven (spin and z-axis)
- Rolled ball screw
- Z-axis control adjustable in .001" increments
- Spin control +/- 1 degree
- Multiple welding setups: by rotation, distance, or torque
- Spin welding speeds adjustable in 1 RPM increments
- Spin welding speeds 1-5000 RPM
- Z-axis speeds adjustable in .100" inches per minute increments
- Multiple speeds / feeds and distances per each weld cycle
- Multiple job storage 1-999 jobs
- Adjustable head home position allows for lowered start position to increase production
- Dual linear rails with four linear carriages
- Steel ground machine column
- 20" to 36" machine travel to accept long parts
(longer strokes available)
- SW750 / SW850 / SW900 actuator heads can be easily mounted into automation and can be mounted in any axis
- Microprocessor based hardware with touch screen display
- Zero force Opto touch palm buttons
- Blanchard ground work table with locking casters
- Integrated machine controls with no mechanical adjustments
- Vacuum head



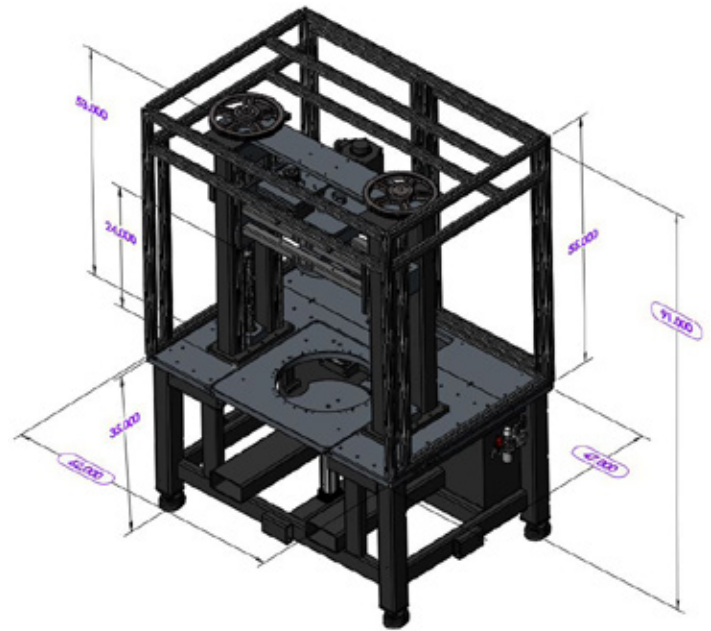
OPTIONS AVAILABLE

- Automation remote actuation cables
- Part presence detection
- Light curtain actuation
- Automatic part ejection station
- Vision system part detection
- Rotary, Pallet, Under/Over Conveyor integration and systems available

SPECIFICATIONS



SW750 / SW850 / SW900



SW950

FEATURES AND BENEFITS

- Ability to melt a significant amount of material at the joint interface
- Accommodates virtually any diameter part with proper joint interface torque and rpm
- Hermetically seals various applications
- Bonds material with fillers such as glass
- Handles virtually any length extrusion

MACHINE	SW 750	SW 850	SW 900	SW950
Max Z Axis Pressure	2000lbs	2000lbs	2000lbs	8000lbs
Power Requirements	208VAC 3 Phase 30Amps	208VAC 3 Phase 30Amps	208VAC 3 Phase 30Amps	208VAC 3 Phase 40Amps
Pneumatic Requirements	100PSI (For Machine Purposes Only)	100PSI (For Machine Purposes Only)	100PSI (For Machine Purposes Only)	100PSI (For Machine Purposes Only)
Overall Dimensions	36.00"W x 30.00"D x 86.00"H	36.00"W x 30.00"D x 86.00"H	36.00"W x 30.00"D x 86.00"H	66.25"W x 42.00"D x 96.03"H
Stroke (Longer Stroke Available)	No Tooling	No Tooling 5.675"	No Tooling 5.675"	No Tooling
Throat Depth (Deeper Available)	5.675"	5.675"	5.675"	32.00"
Weight	700lbs	700lbs	700lbs	1200lbs
Max Spin RPM	5000RPM	3000RPM	3000RPM	2000RPM
Approx. Weldable Part Size	6.00" Dia (Depending on Material)	11.00" Dia (Depending on Material)	11.00" Dia (Depending on Material)	24.00" Dia (Depending on Material)
Max Part Dia.	11.250"	11.250"	11.250"	32.000"
Max Axis Speed	400 IPM	400 IPM	400 IPM	100 IPM
Spin Head Bolt Pattern	1/4-20 x 4 ON 2.500" B.C.	1/4-20 x 4 ON 2.500" B.C.	1/4-20 x 4 ON 2.500" B.C.	3/8-16 x 12 ON 5.00" / 7.00" / 9.00" B.C.
Base Bolt Pattern	3/8-16 x 12 O 5.00" / 7.00" / 9.00" B.C.	3/8-16 x 12 ON 5.00" / 7.00" / 9.00" B.C.	3/8-16 x 12 ON 5.00" / 7.00" / 9.00" B.C.	3/8-16 x 12 ON 7.00" / 9.00" / 12.00" B.C.