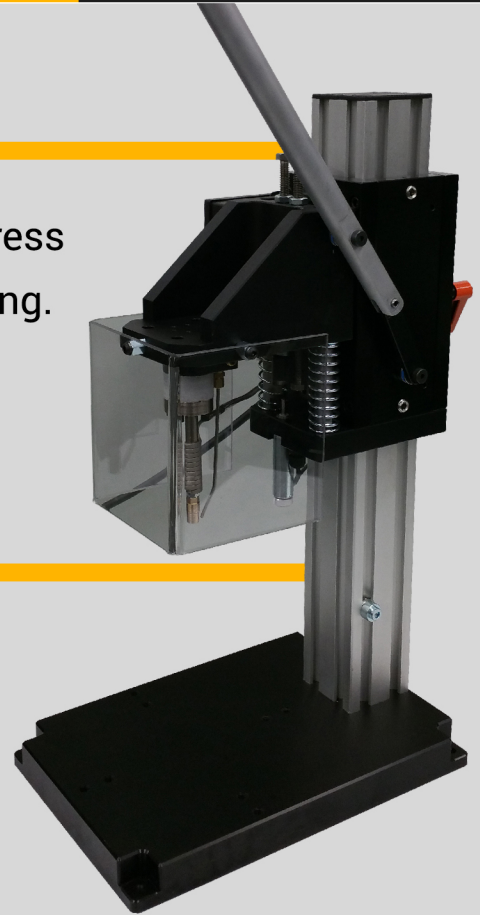


# PLASTIC ASSEMBLY SYSTEMS DATA SHEET

# PAS

## ARB ARBOR PRESS

The PAS model ARB Arbor Press is a hand-operated press designed for low volume production runs and lab testing. Uses include the installation of threaded inserts, heatstaking of thermoplastic posts, embossing, date coding, swaging and film and fabric sealing.



## DESIGNED TO IMPRESS. BUILT TO LAST. MADE IN THE USA.

### PRODUCTION STAKING TOOLING



Achieve repeatable precision welds with PAS designed tooling.

### OPTIONAL MICROMETER DEPTH STOP



One of many options to further personalize your assembly experience.

### PAS STANDARD TEMPERATURE CONTROL BOX



Microprocessor based temperature control with auxiliary function.

# PLASTIC ASSEMBLY SYSTEMS DATA SHEET

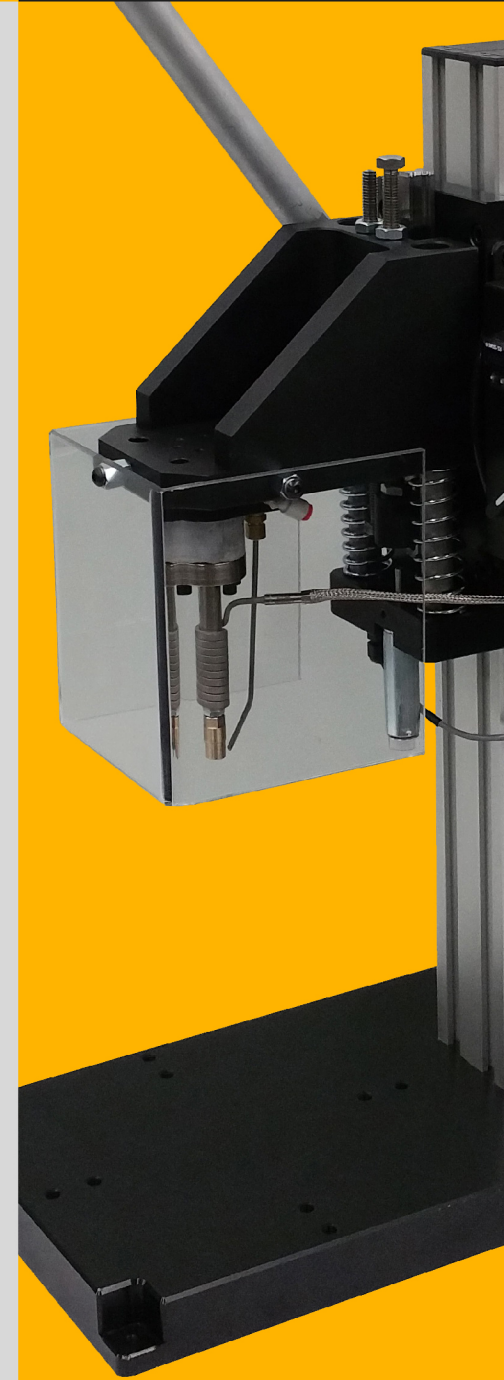


## STANDARD FEATURES

- Microprocessor based temperature control
- Quick tooling change over
- 1 year warranty
- Machine operating manual
- Fine pitch mechanical depth stop
- Blanchard ground work base
- Gross height adjustment
- Lever actuated with spring return
- Operating range 80-999 °F
- Tubular column

## OPTIONS AVAILABLE

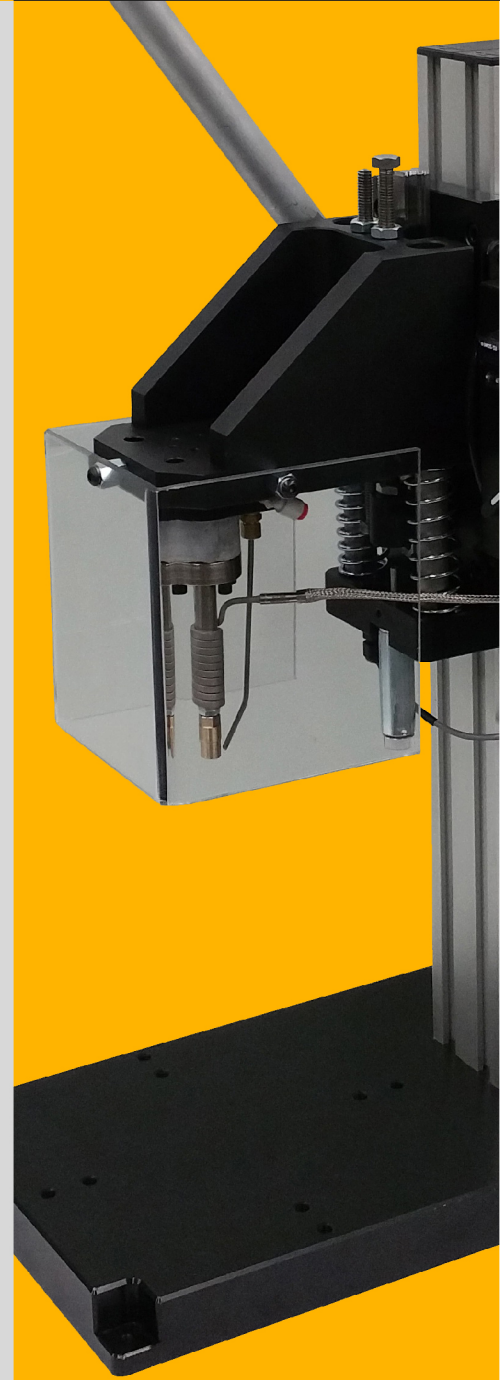
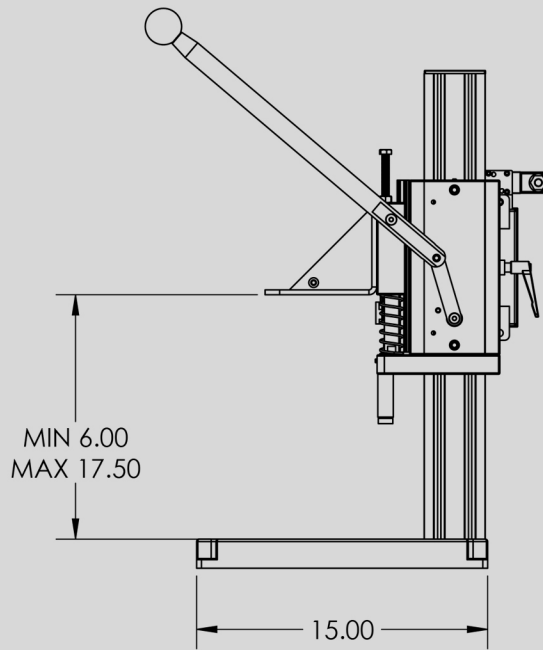
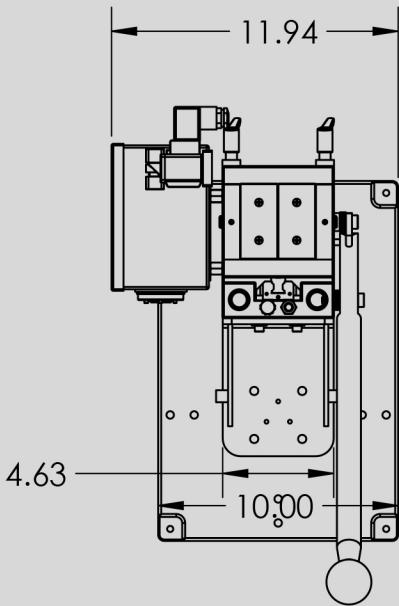
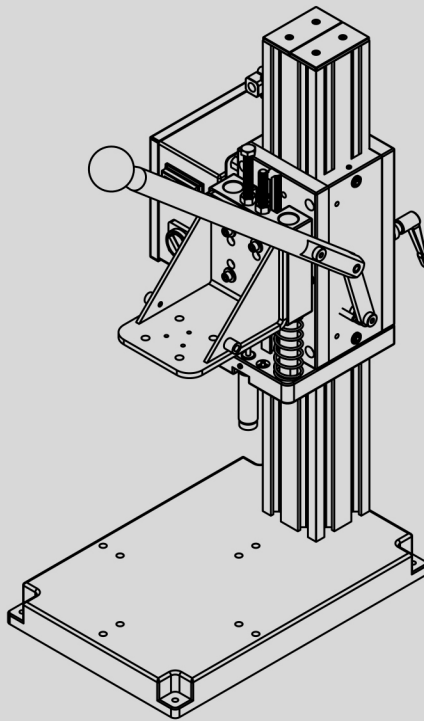
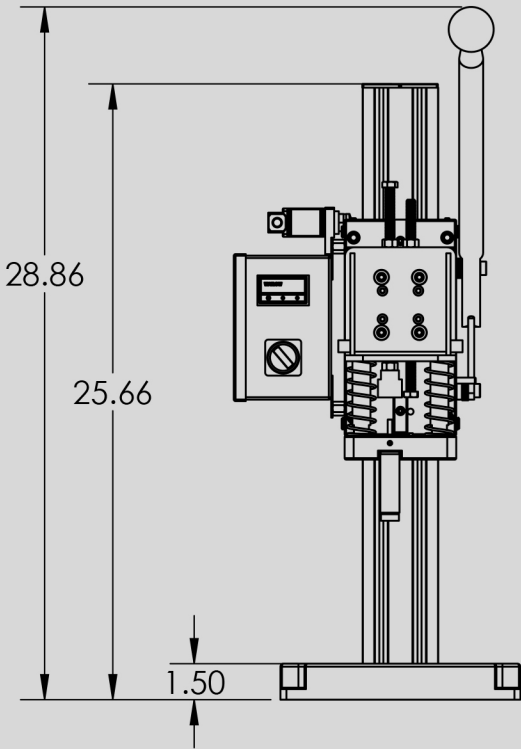
- Part cycle counter
- Part holding fixtures
- Post cooling
- Extended column
- Multiple zones
- Multiple outputs
- Air assist



**A R B**  
A R B O R  
P R E S S

# PLASTIC ASSEMBLY SYSTEMS DATA SHEET

# PAS



**A R B**  


---

 A R B O R  
 P R E S S