

H A N D - H E L D H E A T S T A K E R

Our Hand-Held Heat Staking Pencil is a hand-operated tool designed for low volume production runs and lab testing.

Uses include the installation of threaded inserts, heat staking of thermoplastic posts, embossing, date coding, swaging, and film and fabric sealing.



ERGONOMIC DESIGN.. TACTILE OPERATION

POST COOL WITH EASE



Thumb actuated post cooling makes staking multiple part runs seamless.

POWER & SIMPLICITY



Heat up to 2 PAS heat staking handholds with our easy to use control box.

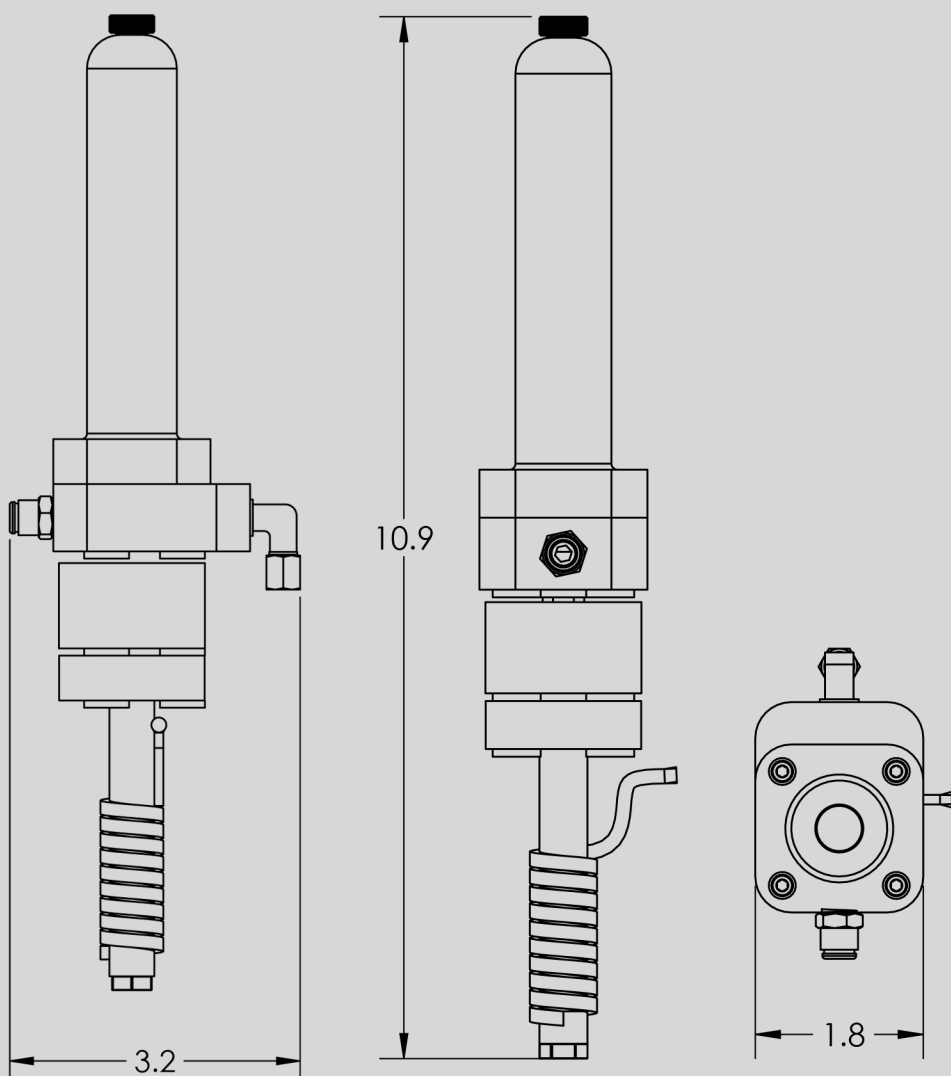
DEDICATED TOOLING



Our engineers work with you and your team to create a tip that gives you a perfect weld, every time.

STANDARD FEATURES

- Micro-processor based temperature control
- Quick tooling change over
- 1 year warranty
- Insulated aluminum handle
- Built in post-cooling with thumb actuation
- Operating range of 80-800 °F



PENCIL

HAND HELD
HEATSTAKER