

PLASTIC ASSEMBLY SYSTEMS DATA SHEET

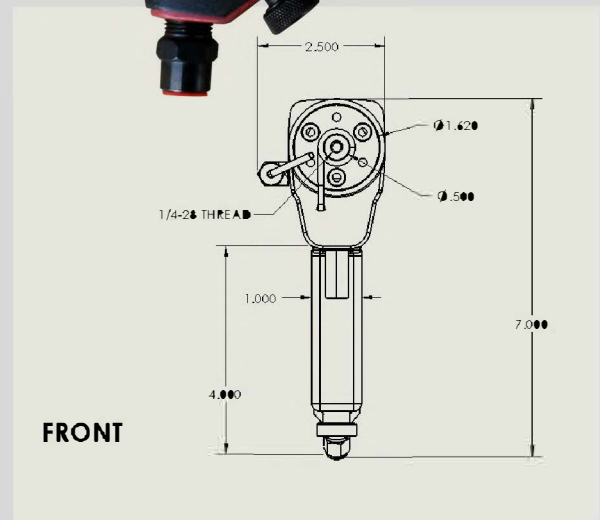
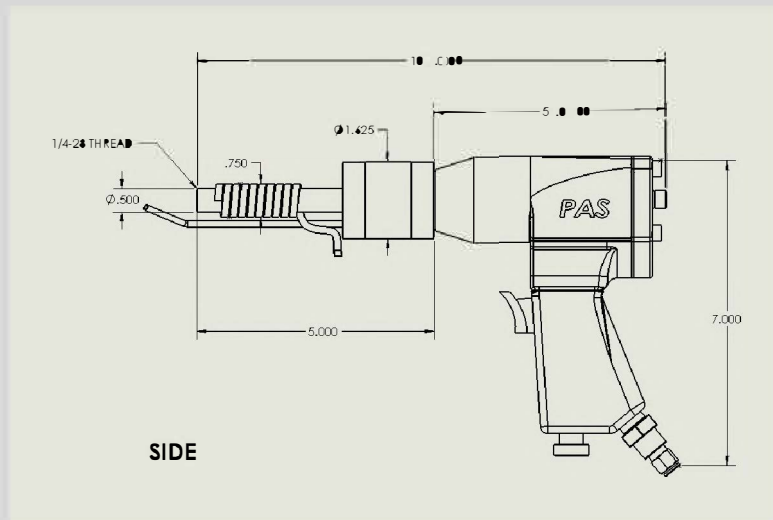
PAS

HAND - HELD HEAT STAKER

Our Pistol Grip Hand-Held Heatstaker is designed for low volume production runs and lab testing. Interchangeable tips allow for a universe of processes.



- Staking
- Insertion
- Embossing
- Date coding
- Swaging
- Film/fabric sealing



SPECIFICATIONS:

- 1 year warranty
- Insulated grip
- Grip mounted post cooling trigger switch
- Built-in post cooling valve
- Complete probe assembly
- Steel probe body with 1/4-28 tapped face
- Integral J-type thermocouple
- 120VAC helix heater
- 48" leads
- Probe assembly heater sock

19 SARGENT DRIVE
BETHANY, CT 06524

P: 203-393-0639
F: 203-393-0395

EMAIL:
SALES@HEATSTAKING.COM

WEBSITE:
HEATSTAKING.COM

 
@PAS_HEATSTAKING