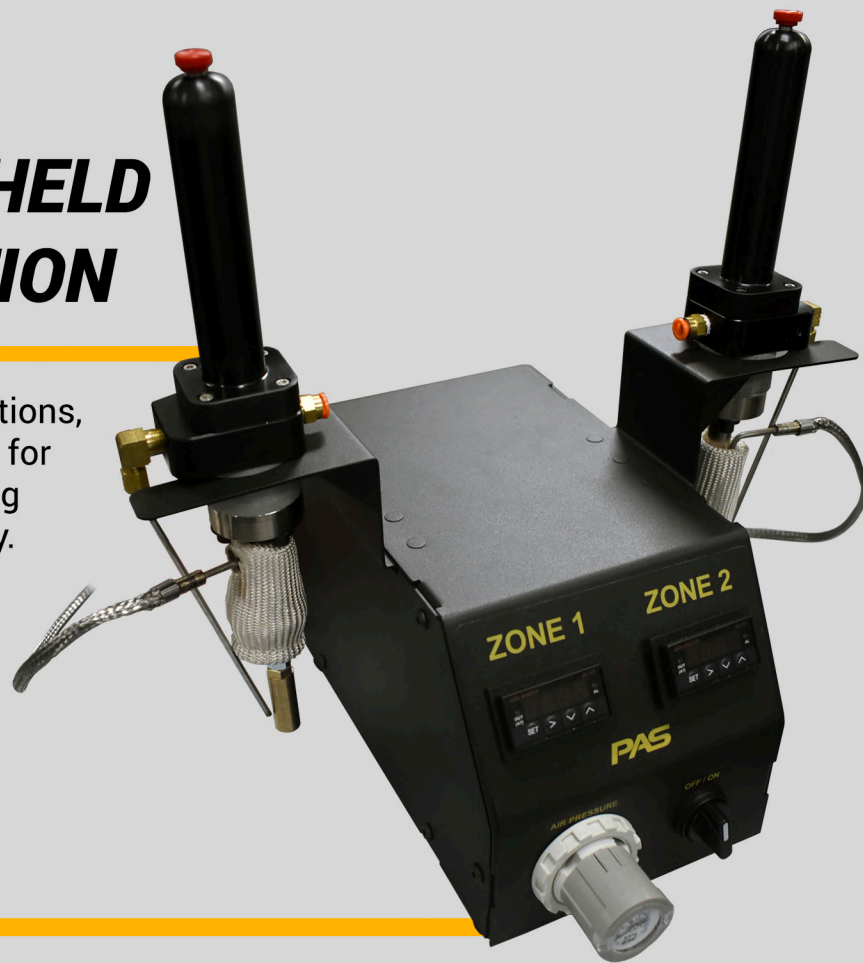


MULTI TOOL HAND-HELD HEAT STAKING STATION

Offered in multi and single zone configurations, our hand-held heat staking station is ideal for low volume production runs and lab testing utilizing the latest heat staking technology.

Uses include:

- Heat staking of thermoplastic posts
- Installation of threaded inserts
- Embossing
- Date coding
- Swaging
- Film and fabric sealing



PLASTIC ASSEMBLY SYSTEMS DATA SHEET

PAS



MULTI TOOL HAND-HELD HEAT STAKING STATION

- 2 temperature controllers with 2 outputs
- 1 auxiliary amp connector with in temp dry contact
- Main on/off switch
- Main fuse
- 2 SSR heater relays
- Air regulator for pressure regulating post cooling
- 2 tool mounts



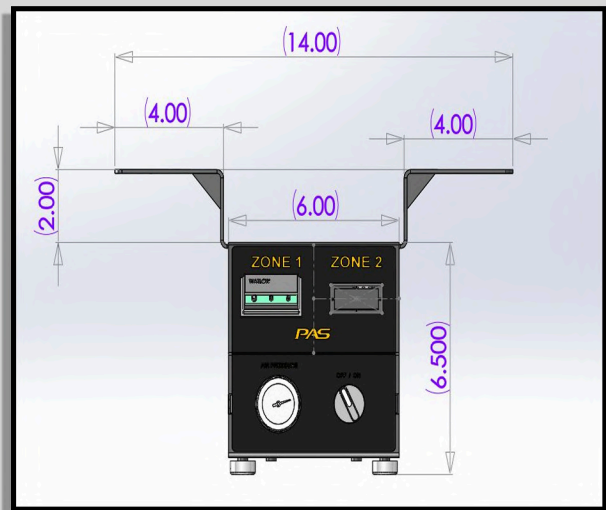
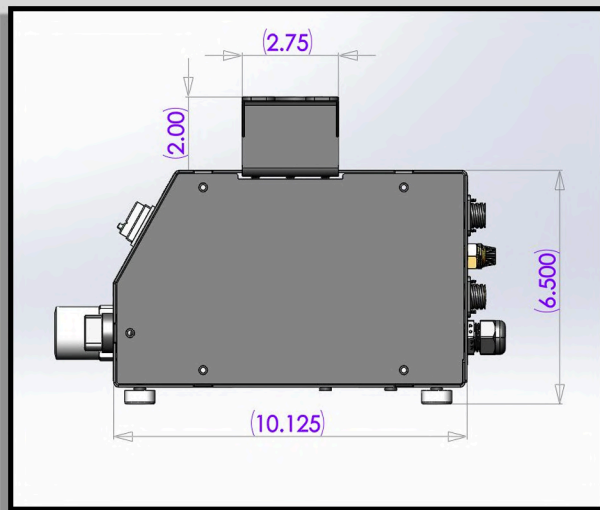
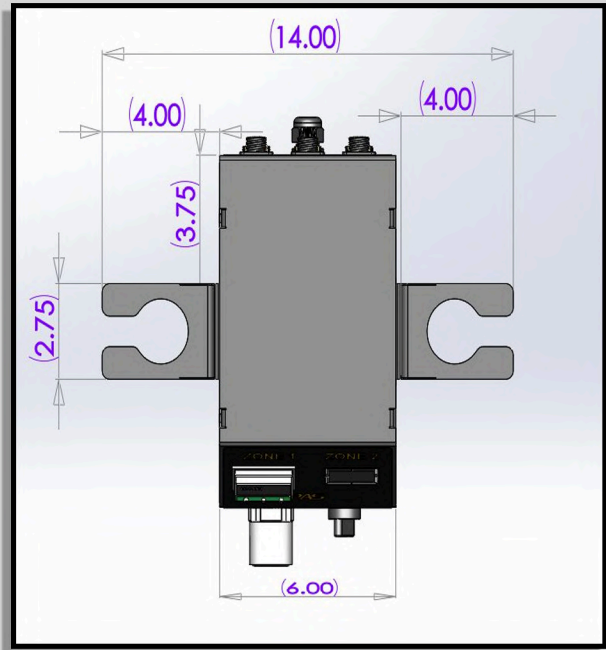
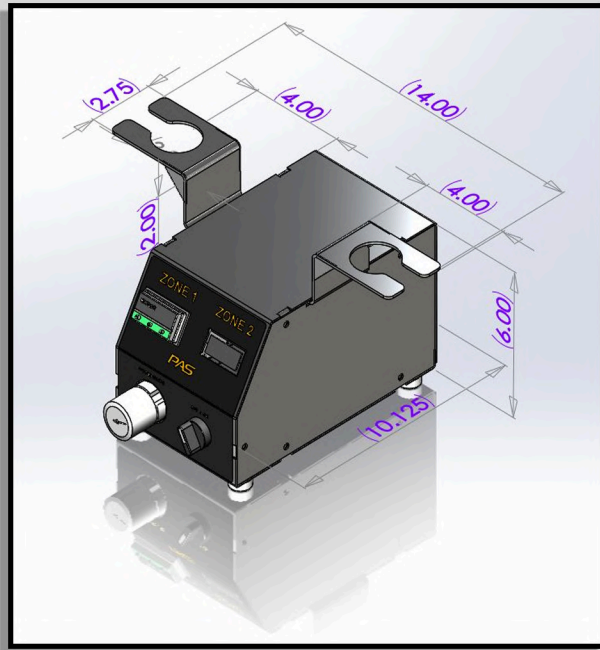
SINGLE TOOL HAND-HELD HEAT STAKING STATION

- 1 temperature controller with 2 outputs
- 1 auxiliary amp connector with in temp dry contact
- Main on/off switch
- Main fuse
- 1 SSR heater relays
- Air regulator for pressure regulating post cooling
- 1 tool mount

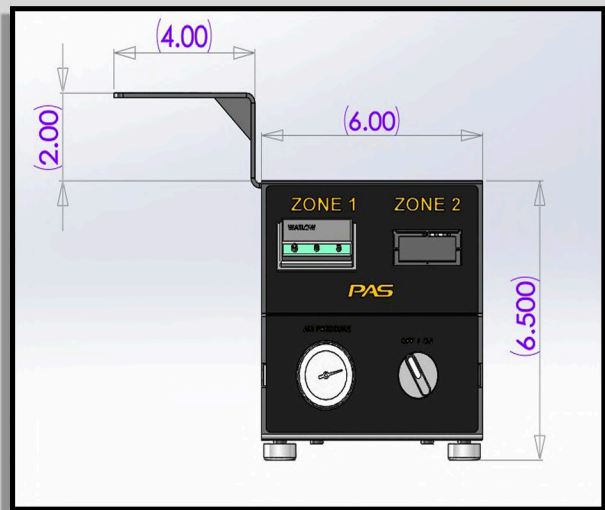
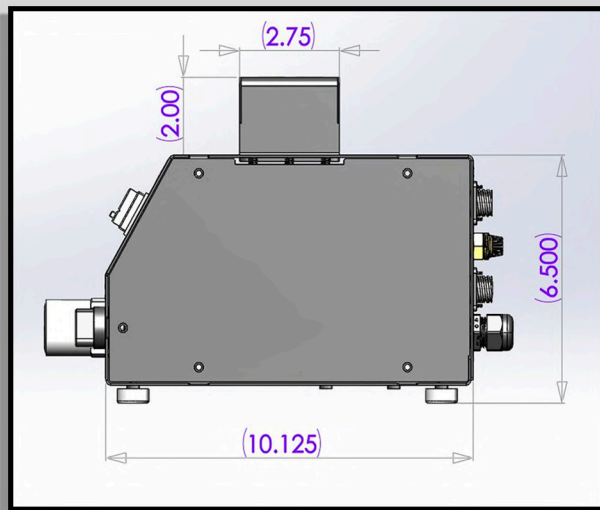
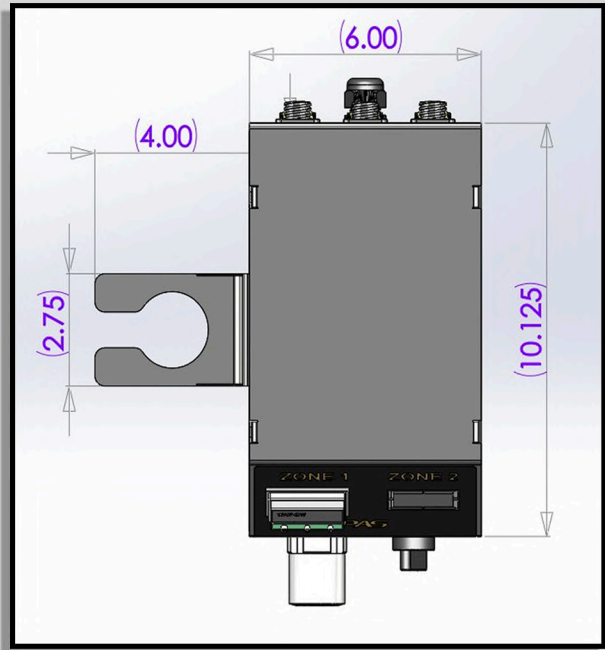
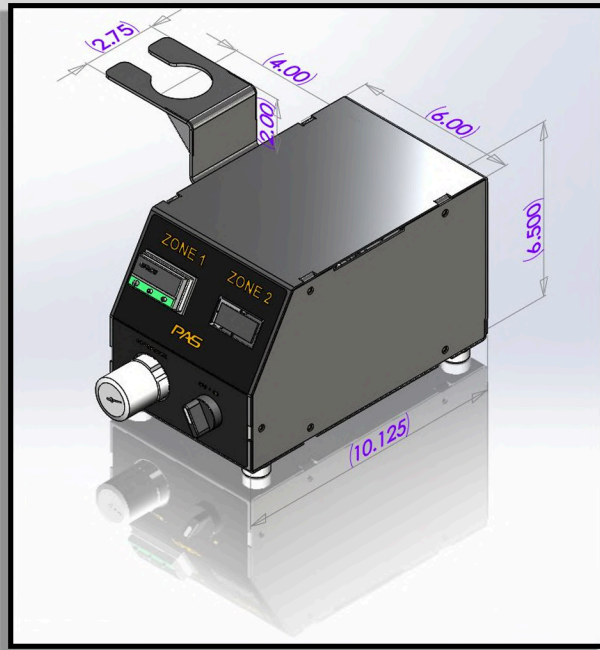
PLASTIC ASSEMBLY SYSTEMS DATA SHEET



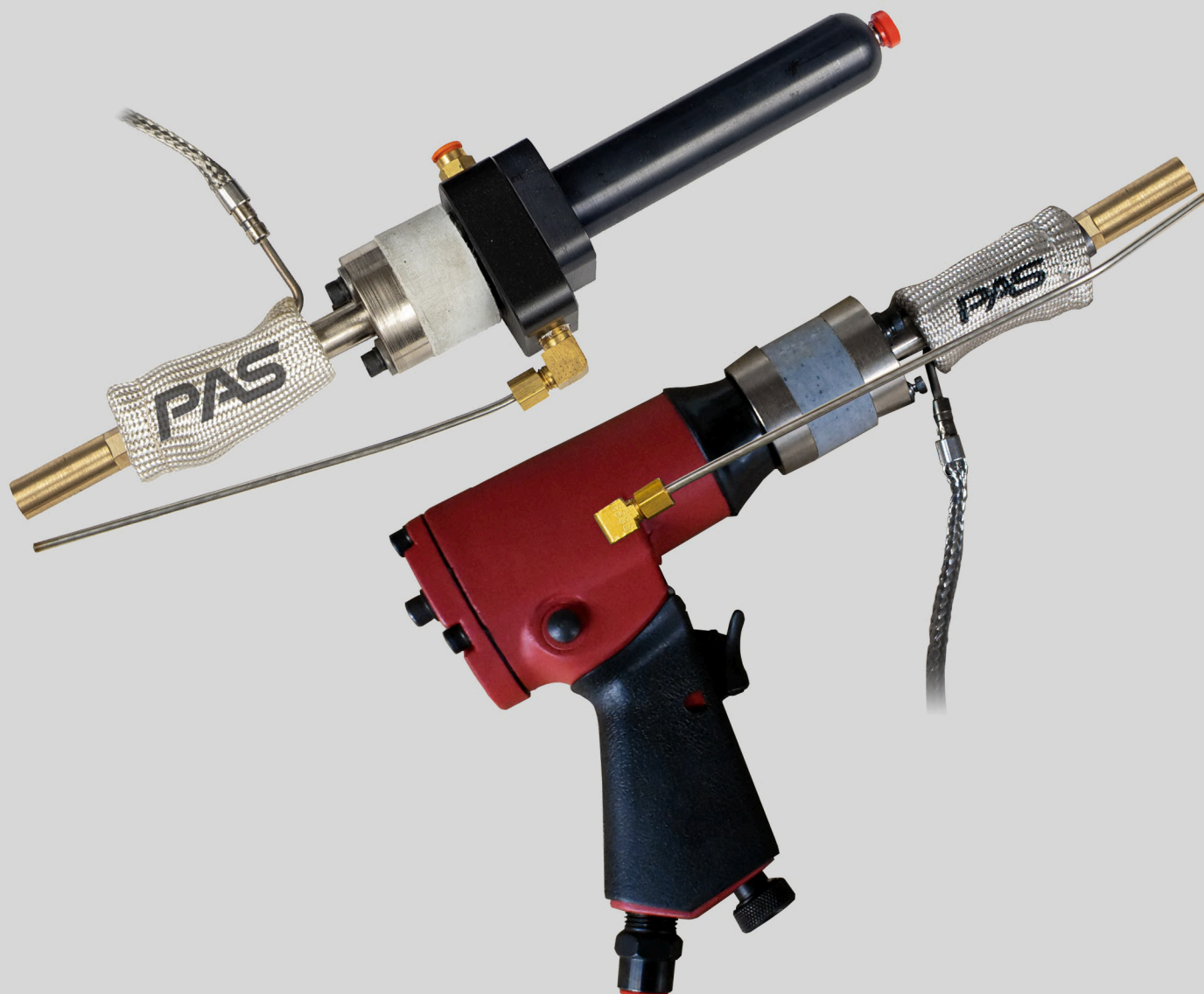
MULTI TOOL HAND-HELD HEAT STAKING STATION



SINGLE TOOL HAND-HELD HEAT STAKING STATION



PENCIL / PISTOL GRIP **HAND-HELD HEAT STAKER**

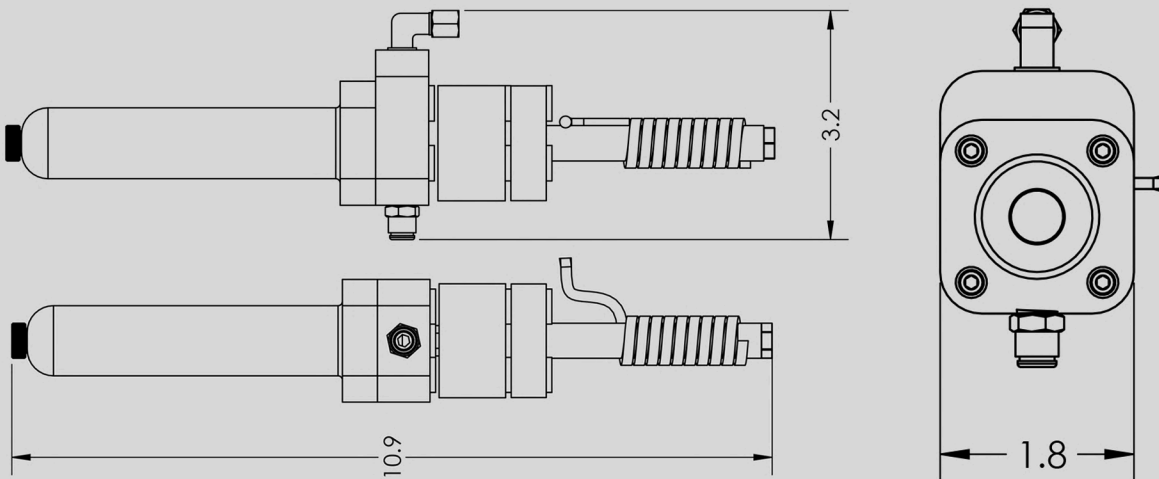


SAME HIGH TECH.. DIFFERENT FORM FACTORS

H A N D - H E L D H E A T S T A K E R

Our Hand-Held Heat Staking Pencil is designed for low volume production runs and lab testing. Interchangeable tips allow for a universe of processes.

- Staking
- Insertion
- Embossing
- Date coding
- Swaging
- Film/fabric sealing



SPECIFICATIONS:

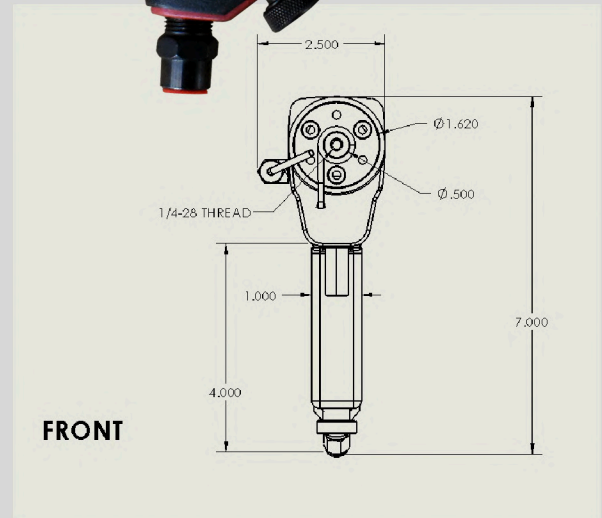
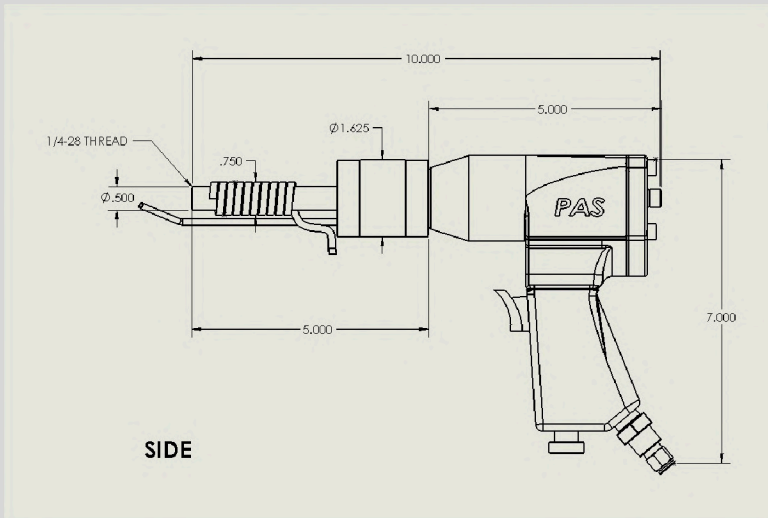
- 1 year warranty
- Insulated aluminum handle
- Built-in post cooling valve
- Thumb actuated post cooling
- Complete probe assembly
- Steel probe body with 1/4-28 tapped face
- 120VAC helix heater
- Integral J-type thermocouple
- 48" leads
- Probe assembly heater sock

HAND - HELD HEAT STAKER

Our Pistol Grip Hand-Held Heatstaker is designed for low volume production runs and lab testing. Interchangeable tips allow for a universe of processes.



- Staking
- Insertion
- Embossing
- Date coding
- Swaging
- Film/fabric sealing



SPECIFICATIONS:

- 1 year warranty
- Insulated grip
- Grip mounted post cooling trigger switch
- Built-in post cooling valve
- Complete probe assembly
- Steel probe body with 1/4-28 tapped face
- Integral J-type thermocouple
- 120VAC helix heater
- 48" leads
- Probe assembly heater sock