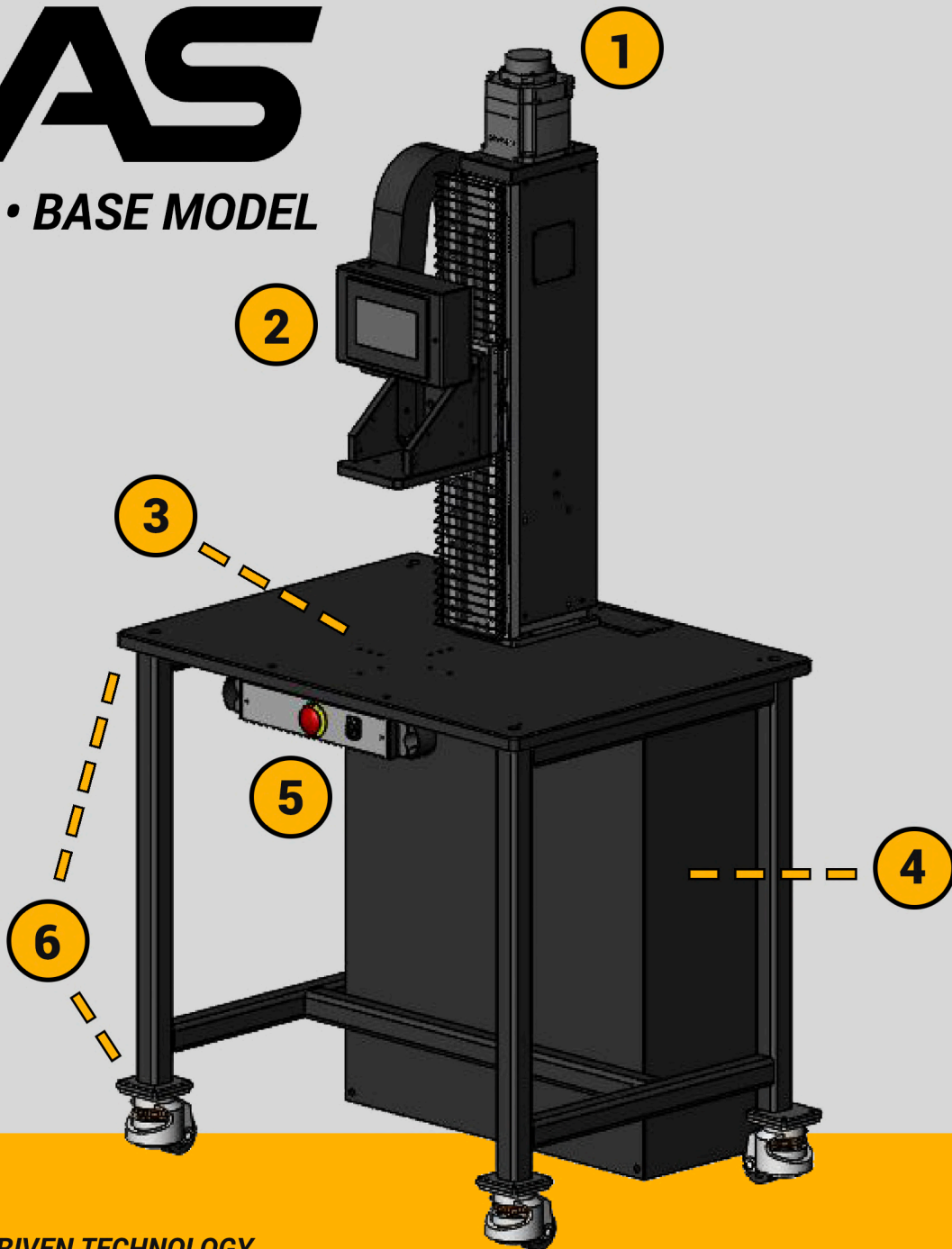


PAS

STS2000 • BASE MODEL



SERVO DRIVEN TECHNOLOGY

1: Experience the difference of true servo control over your heat staking projects! Utilizing superior machine components, PAS supplies you with the most cutting edge machine on the market.

INTUITIVE HMI DISPLAY

2: Change recipe parameters and monitor your system with our touchscreen display.

THE RIGHT TOOLING PACKAGE FOR YOU

3: Choose from one of our tooling mount packages. Designed and optimized to meet your plants specific needs!

RUGGED ELECTRICAL PANEL

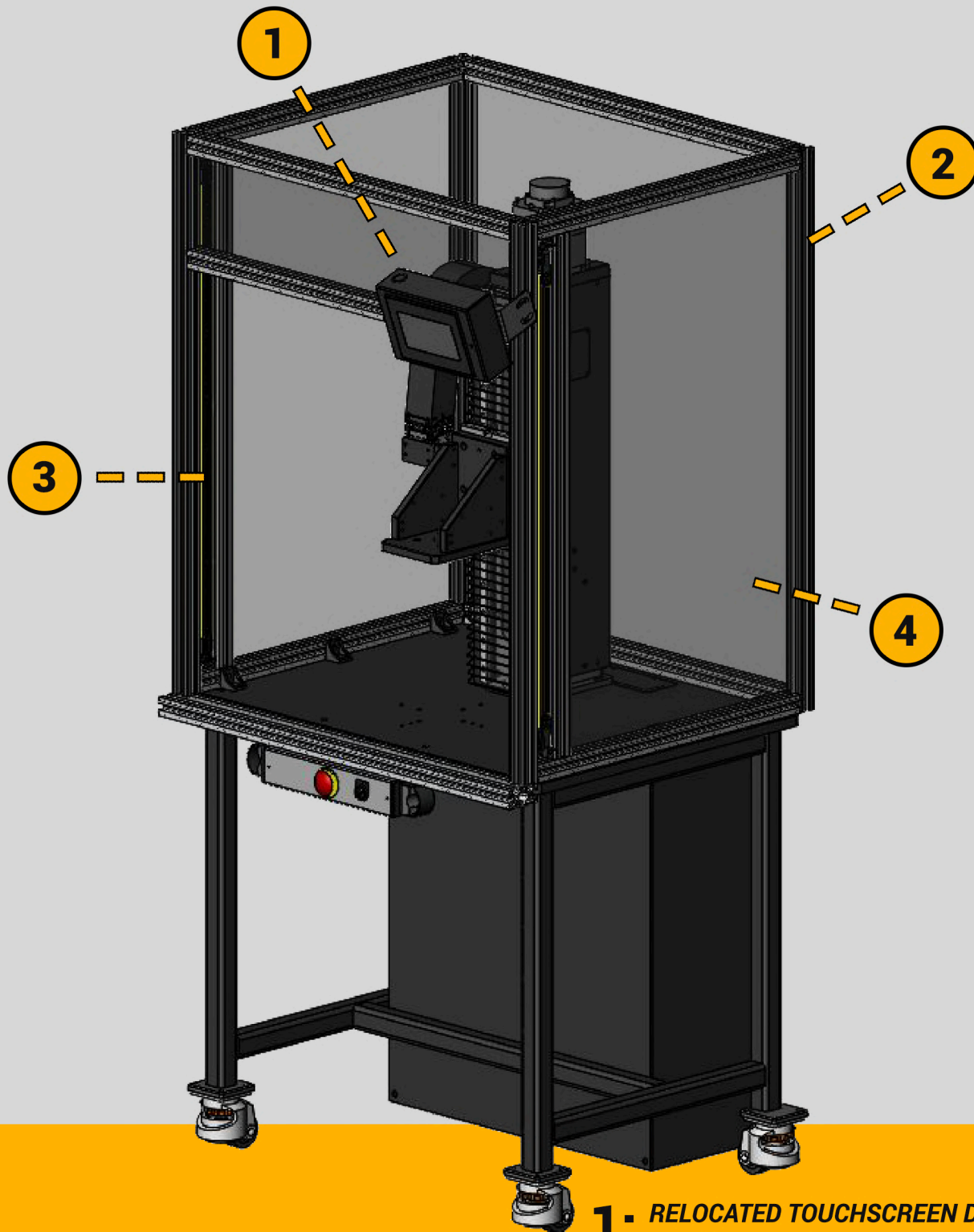
4: UL508A certified system control packages offered with Allen Bradley or Mitsubishi components.

PALM BUTTONS AND E-STOP

5: OSHA and UL approved machine actuation.

MACHINE FRAME +

6: **PRECISION GROUND TABLE TOP**
Featuring leveling and locking casters. Move your equipment with ease!



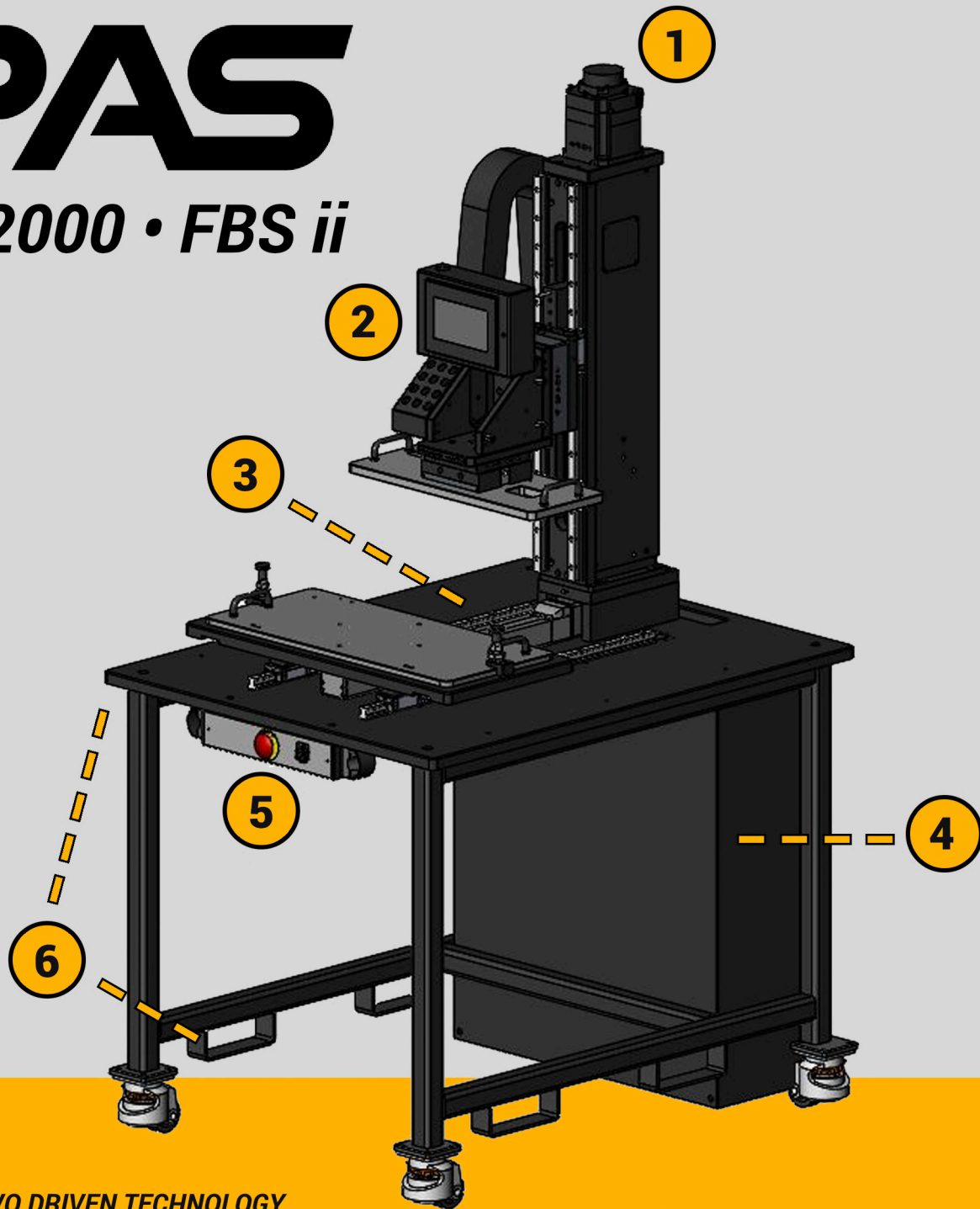
PAS

**STS2000 • BASE MODEL
SAFETY PACKAGE**

- 1:** **RELOCATED TOUCHSCREEN DISPLAY**
Provides operator ease of viewing.
- 2:** **ALUMINUM EXTRUSION GUARDING**
Built to further protect your operators.
- 3:** **LIGHT CURTAIN SAFETY SENSORS**
Automatically stops your production cycle if breached by operator.
- 4:** **MACHINE WINDOWS**
Get a safe, crystal clear view of your assembly from any angle.

PAS

STS2000 • FBS ii



SERVO DRIVEN TECHNOLOGY

1: Experience the difference of true servo control over your heat staking projects! Utilizing superior machine components, PAS supplies you with the most cutting edge machine on the market.

INTUITIVE HMI DISPLAY

2: Change recipe parameters and monitor your system with our touchscreen display.

FRONT BACK SLIDE (FBS)

3: Add an additional layer of safety for your operators by adding our servo driven slide to your STS2000.

RUGGED ELECTRICAL PANEL

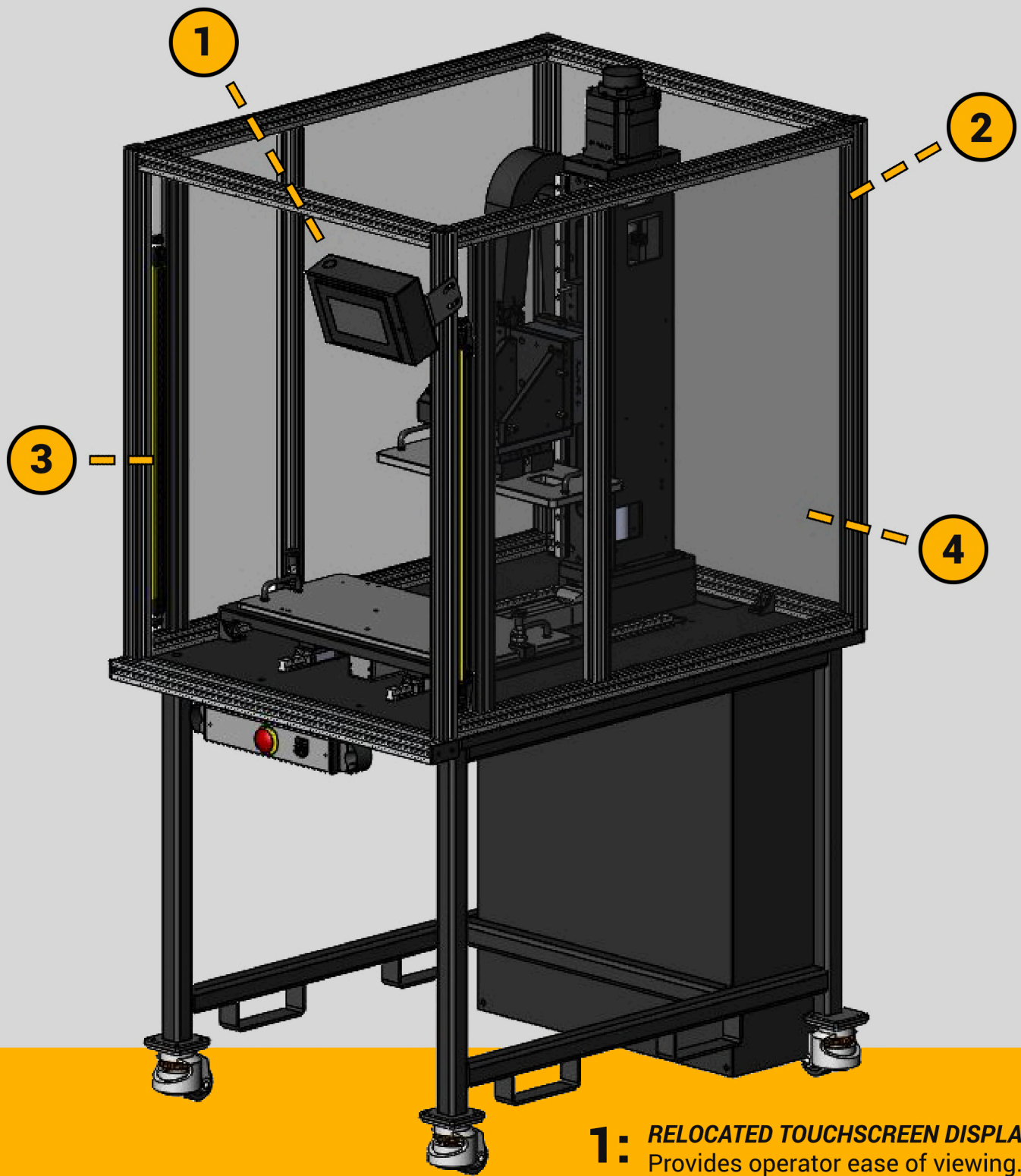
4: UL508A certified system control packages offered with Allen Bradley or Mitsubishi components.

PALM BUTTONS AND E-STOP

5: OSHA and UL approved machine actuation.

MACHINE FRAME +

6: **PRECISION GROUND TABLE TOP**
Featuring leveling and locking casters. Move your equipment with ease!



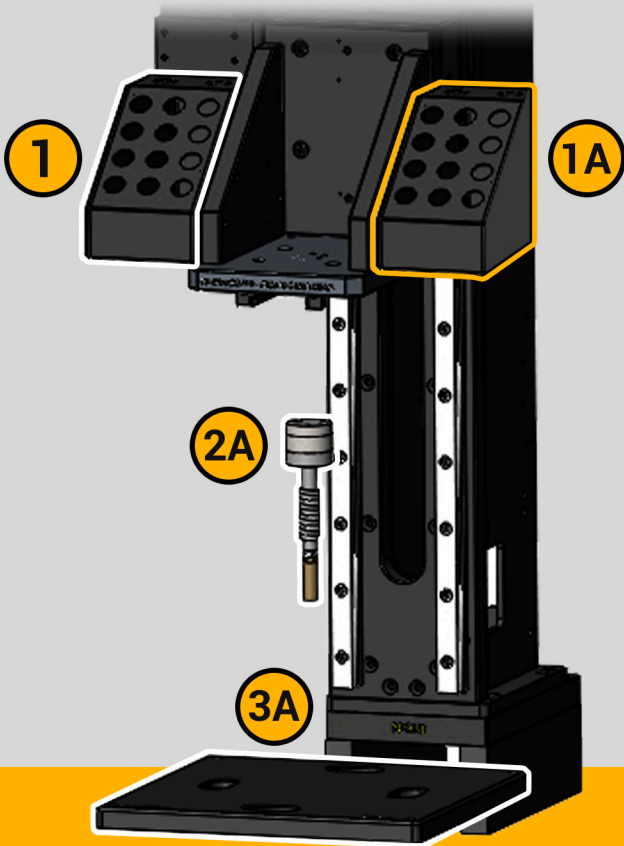
PAS

STS2000 • FBS ii
SAFETY PACKAGE

- 1:** **RELOCATED TOUCHSCREEN DISPLAY**
Provides operator ease of viewing.
- 2:** **ALUMINUM EXTRUSION GUARDING**
Built to further protect your operators.
- 3:** **LIGHT CURTAIN SAFETY SENSORS**
Automatically stops your production cycle if breached by operator.
- 4:** **MACHINE WINDOWS**
Get a safe, crystal clear view of your assembly from any angle.

MOUNTED TOOLING PACKAGES

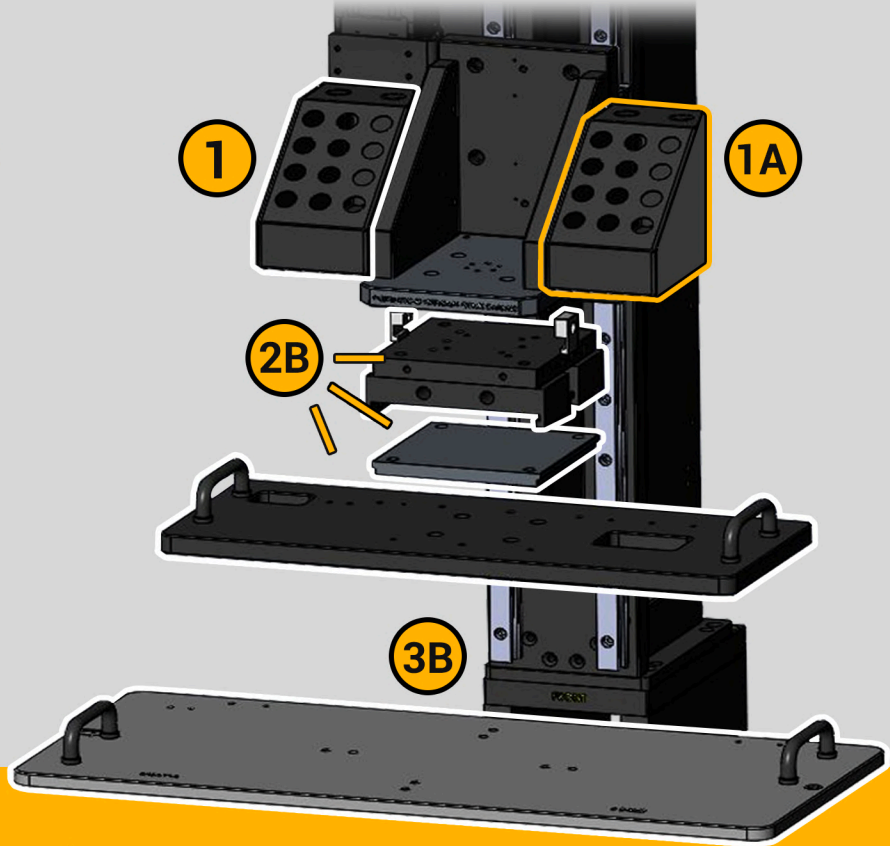
Designed and optimized for your application!



(BTP) [base tooling package]

LIMITED TOOLING CHANGE OVER

- 1:** Standard heater box provides up to 12 heater outputs
- 1A:** Upgrade heater box for up to 24 outputs
- 2A:** **BOLT-ON UPPER TOOLING**
Ideal for limited tool changeover
- 3A:** Manual bolt-on lower tooling plate

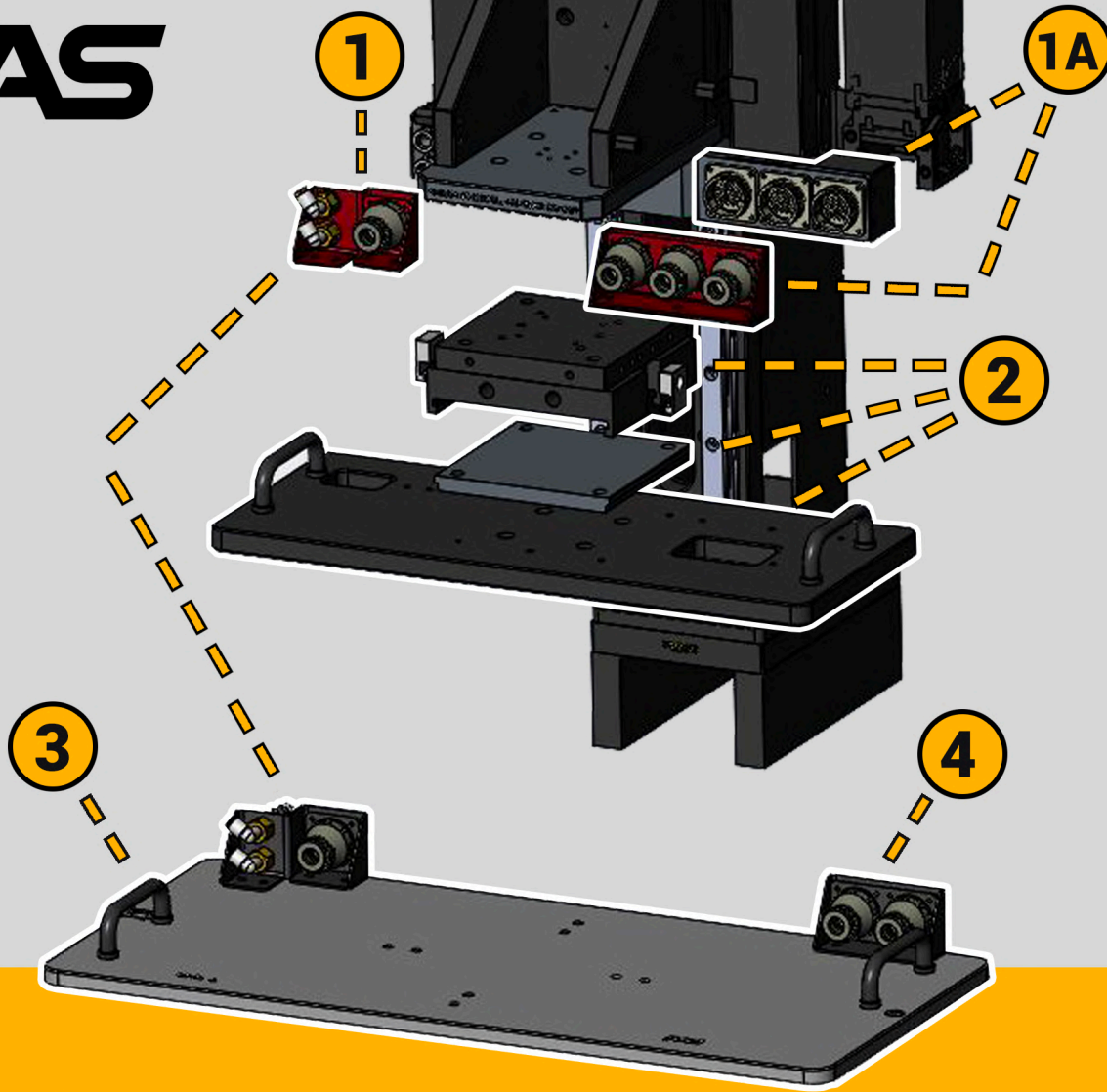


[QC-1 tooling package]

SELF ALIGN MULTIPLE TOOLING CHANGE OVERS

- 1:** Standard heater box provides up to 12 heater outputs
- 1A:** Upgrade heater box for up to 24 outputs
- 2B:** **QUICK-CHANGE UPPER TOOLING**
Precise X/Y positioning
Equipment self-aligns tooling
- 3B:** **QUICK-CHANGE LOWER TOOLING**
Precise X/Y positioning
Lower tooling mount + palletized lower tooling

PAS



- 1: PAS DESIGNED JIG-BINARY A.I.**
Recognizes upper and lower tooling changes.
Automatically loads the program parameters
associated with your tooling set-up.
Eliminate set-up error entirely!

- 1A: MULTI-ZONE HEATER QUICK-DISCONNECT**
Up to 18 heater outputs
Disconnects and connects with tooling changes.
*Works in conjunction with Jig-Binary to automatically
change temperature related parameters!*

- 2: QUICK-CHANGE UPPER TOOLING**
Precise X/Y positioning
Equipment self-aligns tooling

- 3: QUICK-CHANGE LOWER TOOLING**
Precise X/Y positioning
Lower tooling mount + palletized lower tooling

- 4: I/O PERIPHERAL**
Allows integration of additional tooling peripherals

**REDEFINE CHANGEOVER
WITH SMART TOOLING...**

QC-2 A.I.